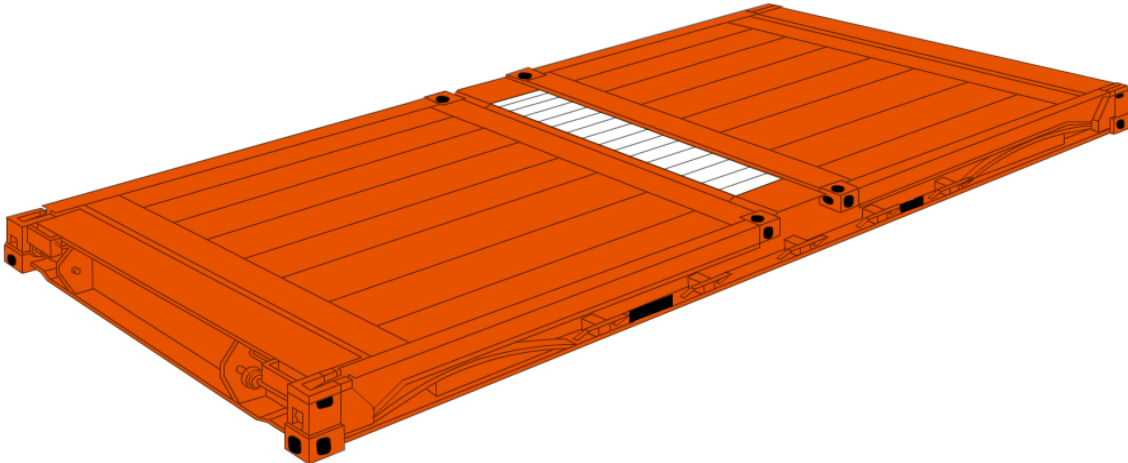




225 Main Street East, Ste. 12  
Milton, ON L9T 1N9  
P: 905-875-9977  
E: [info@allegrofreight.com](mailto:info@allegrofreight.com)  
W: [www.allegrofreight.com](http://www.allegrofreight.com)

## 20' Platform



### General Container Information

ISO Type Group	22 PC
ISO Size Type	22 P8

### Inside Dimension

Measure	Length	Width	Height Bottom
mm	6,058	2,438	370
ft	20'	8'	1' 2 1/2''

### Weight

Measure	Max Gross	Tare (Weight)	Max Payload
kg	45,000	2,900	42,100
lbs	99,200	6,400	92,800